

# LED PROFILE VARIO30-07 ACDE-9/U9 2000 ANOD.



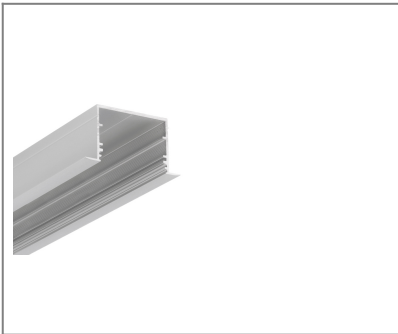
Recessed



Architectural



Lighting



CE



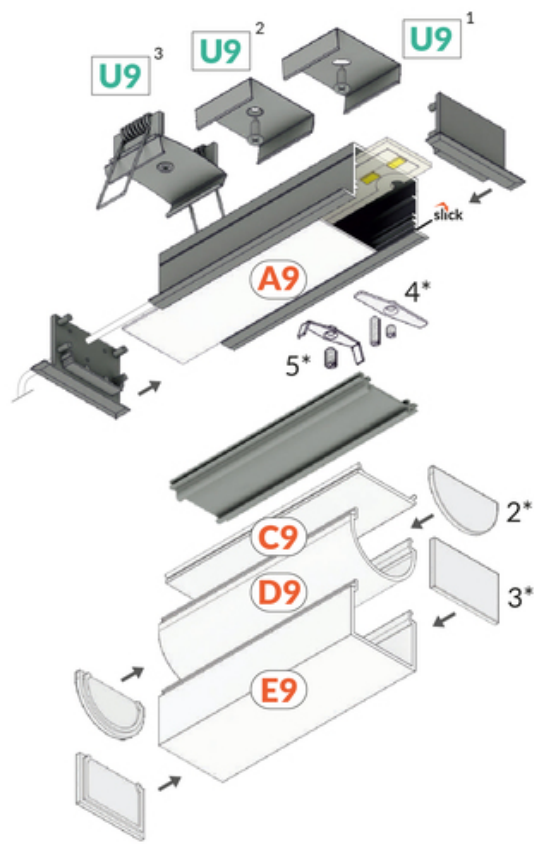
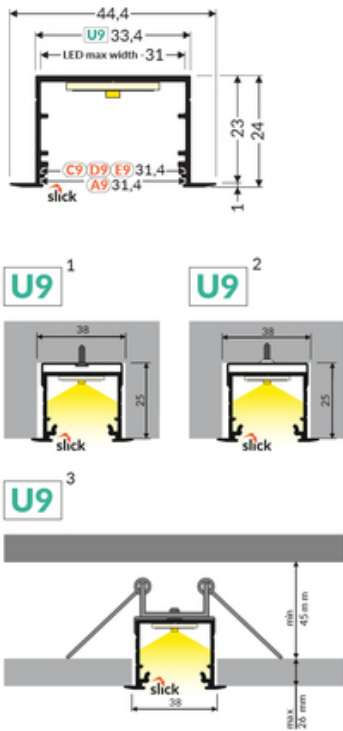
EU industrial designs



Made in Poland



Buy product



- 2\* end cap D9  
zaślepka D9
- 3\* end cap E9  
zaślepka E9
- 4\* LED clamp VARIO30  
docisk LED VARIO30
- 5\* LED clamp VARIO30-1  
docisk LED VARIO30-1

TOPMET LIGHT KŁOSOWICZ WIŚNIEWSKI sp. z o.o.

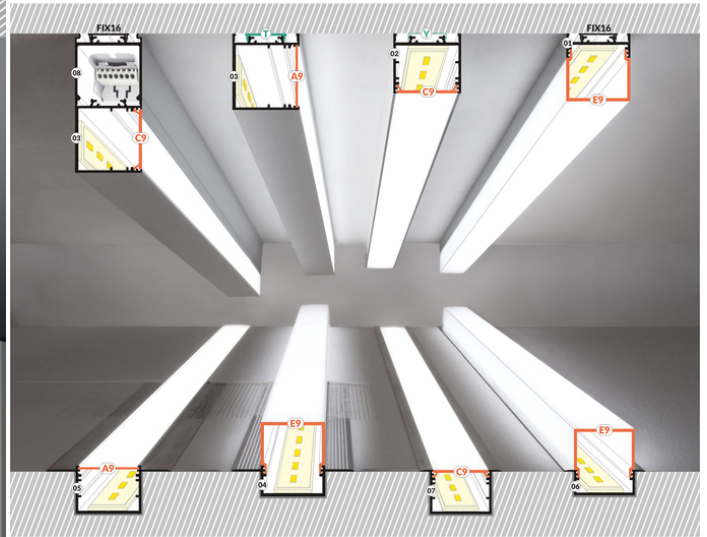
Ostrowska 354 | 61-312 Poznań | POLAND

tel.: +48 61 872 75 00

info@topmet.pl

pdf card generation date: 10.03.2025

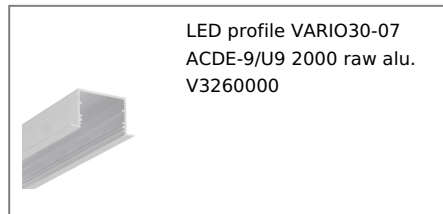




## Basic Informations

<p>EAN: 5901597240266          Index: V3260020          Material: aluminium          Color: anodized          Length [mm]: 2000          Weight [kg]: 0.65          Country of origin: PL</p>	<p>Measurement unit: qty          Product packaging dimensions [mm]: 2000 x 44,4 x 24          Bulk packing [qty]: 20          Master packaging type: Bulk          Product with gross packaging weight [kg]: 13</p>
---	--

## AVAILABLE COLORS

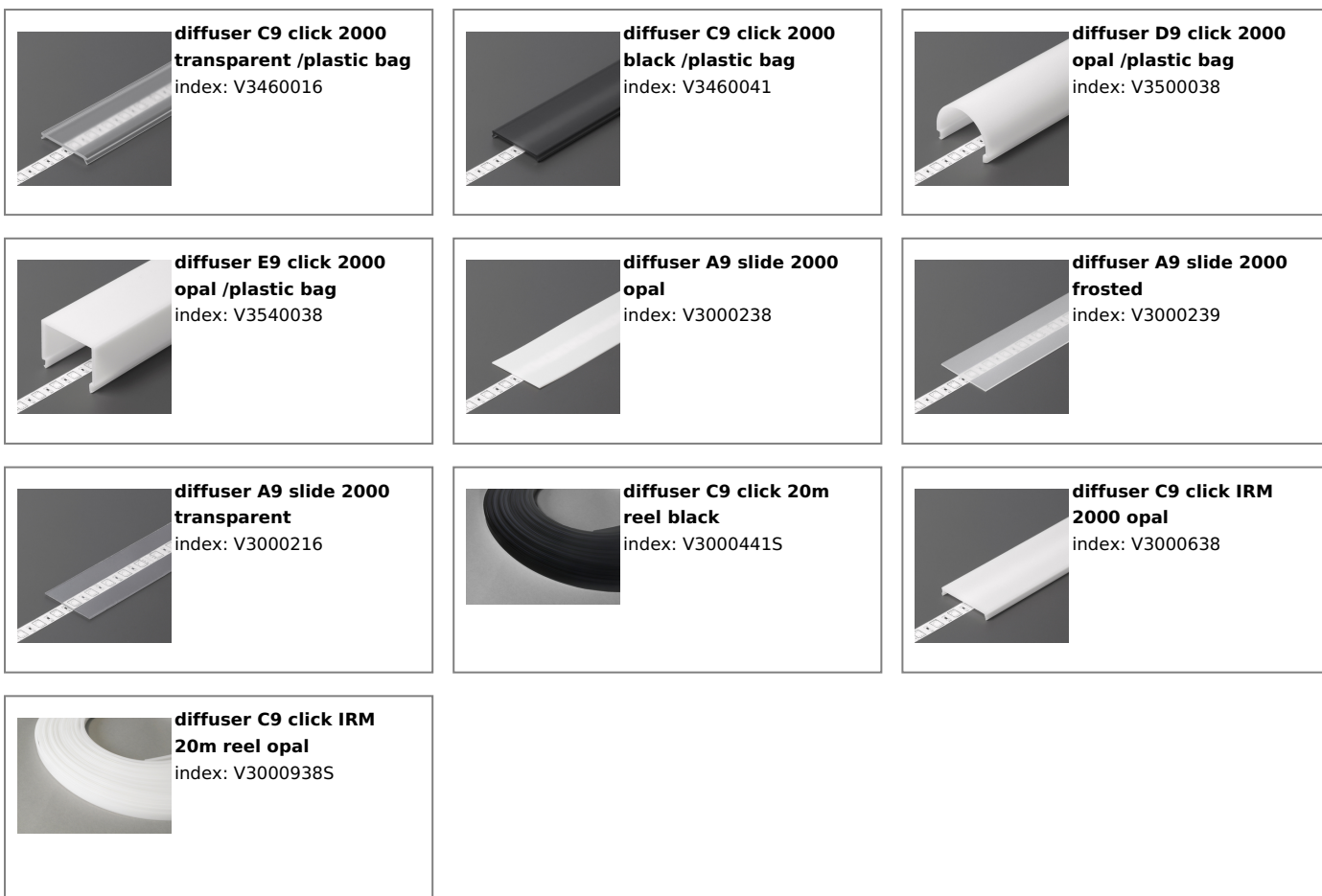


## AVAILABLE VARIANTS

1000 mm, 2000 mm, 3000 mm, 4050 mm

## Matching elements

## DIFFUSERS



## END CAPS



## CONNECTORS



**connector VARIO30-07  
60deg anod. /plastic bag**  
index: V4780020S



**connector VARIO30-07  
90deg anod. /plastic bag**  
index: V4790020S



**connector VARIO30-07  
90deg bent anod.  
/plastic bag**  
index: V4800020S



**connector VARIO30-07  
120deg anod. /plastic  
bag**  
index: V4810020S



**connector VARIO30-07  
135deg anod. /plastic  
bag**  
index: V4820020S



**connector VARIO30-07  
270deg bent anod.  
/plastic bag**  
index: V4830020S

---

## MOUNTING PLATES



**mounting plate U9 inox  
[20pcs]**  
index: V4840019



**mounting plate U9 cone  
inox [20pcs]**  
index: V4850019



**mounting plate U9  
spring /plastic bag  
[2pcs]**  
index: V4620019S