

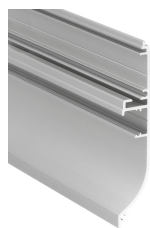
LED PROFILE SKIRT10 AC2/Q9 1000 ANOD.



Architectural



max 10 mm



- elegant and robust skirting board for LED strips
- soft glow with a 60 P/m LED strip
- optimum light effect with a matt floor or carpet
- convenient installation
- space for concealing wires



EU industrial designs



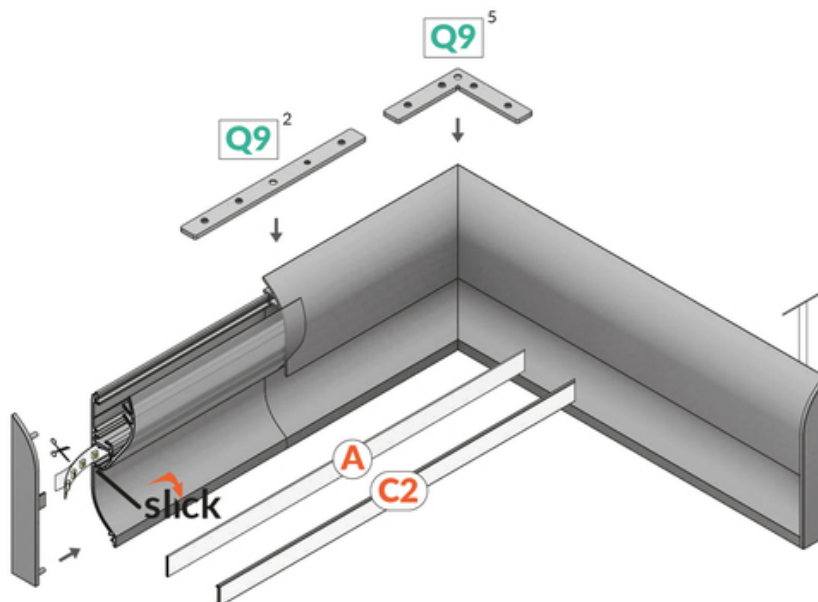
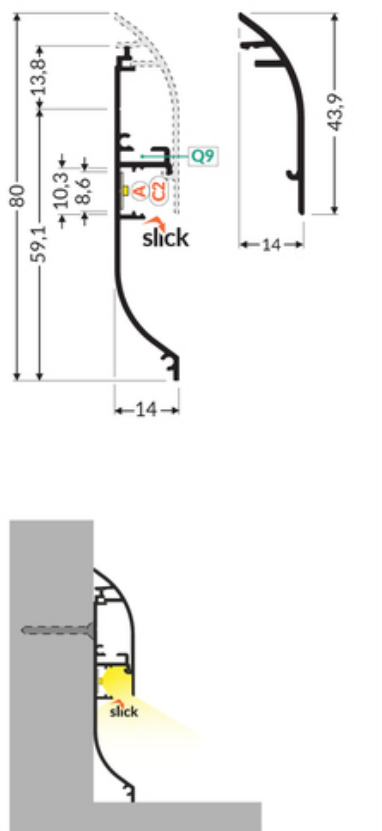
CE



Made in Poland



Buy product



TOPMET LIGHT KŁOSOWICZ WIŚNIEWSKI sp. z o.o.

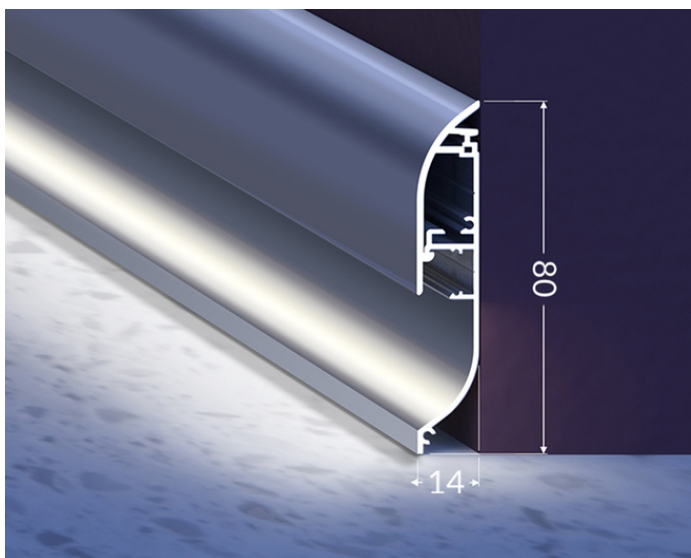
Ostrowska 354 | 61-312 Poznań | POLAND

tel.: +48 61 872 75 00

info@topmet.pl

pdf card generation date: 10.03.2025

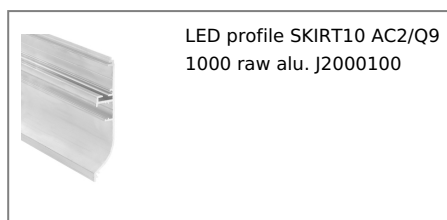




Basic Informations

EAN: 5901597288626 Index: J2000120 Material: aluminium Color: anodized Length [mm]: 1000 Weight [kg]: 0.368 Country of origin: PL	Measurement unit: qty Product packaging dimensions [mm]: 1000 x 14 x 72,9 Bulk packing [qty]: 20 Master packaging type: Bulk Product with gross packaging weight [kg]: 7.36
---	---

AVAILABLE COLORS

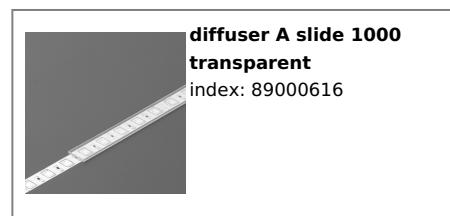
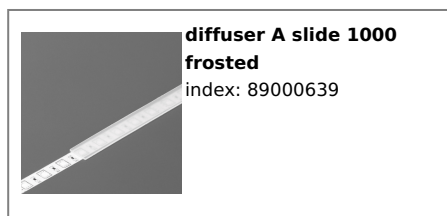
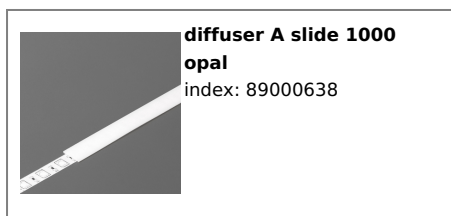
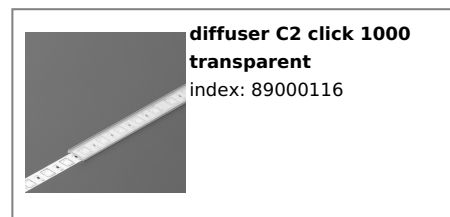
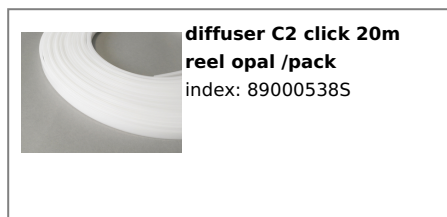
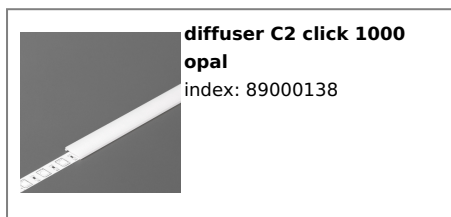


AVAILABLE VARIANTS

1000 mm, 2000 mm, 3000 mm, 4050 mm

Matching elements

DIFFUSERS



END CAPS



end cap SKIRT10 silver
[20pcs]
index: J2998940



end cap SKIRT10 grey
[20pcs]
index: J2998922

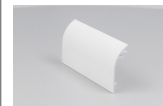
COMPLEMENTARY PROFILE



complementary profile
SKIRT10 1000 anod.
index: J2000520



complementary profile
SKIRT10 1000 raw alu.
index: J2000500



complementary profile
SKIRT10 1000 white
painting /plastic bag
index: J2000501