

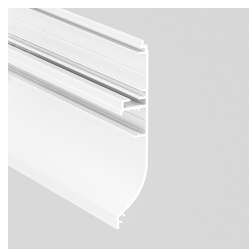
# LED PROFILE SKIRT10 AC2/Q9 1000 WHITE PAINTED /PLASTIC BAG



Architectural



max 10 mm



- elegant and robust skirting board for LED strips
- soft glow with a 60 P/m LED strip
- optimum light effect with a matt floor or carpet
- convenient installation
- space for concealing wires



EU industrial designs



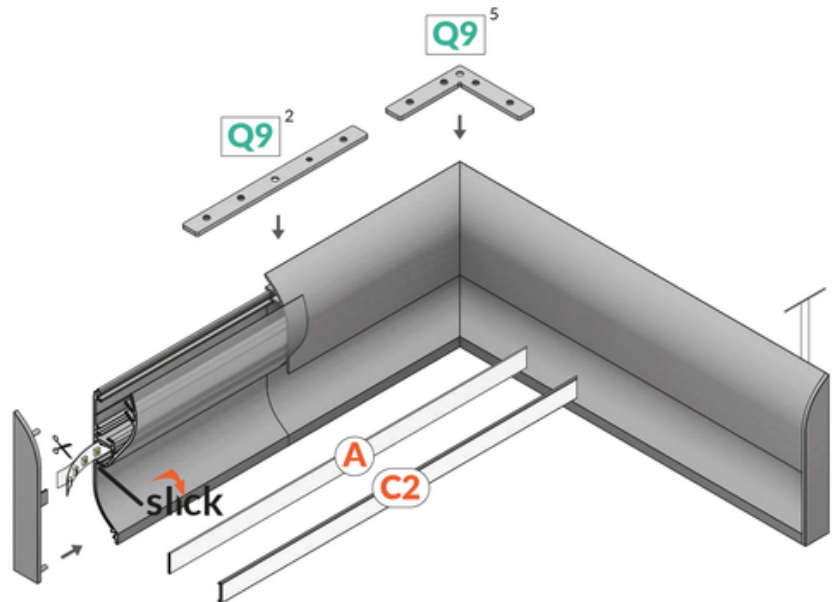
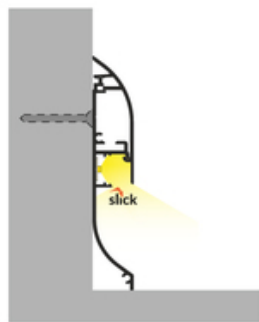
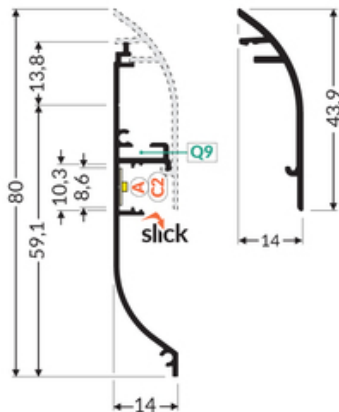
CE



Made in Poland



Buy product



TOPMET LIGHT KŁOSOWICZ WIŚNIEWSKI sp. z o.o.

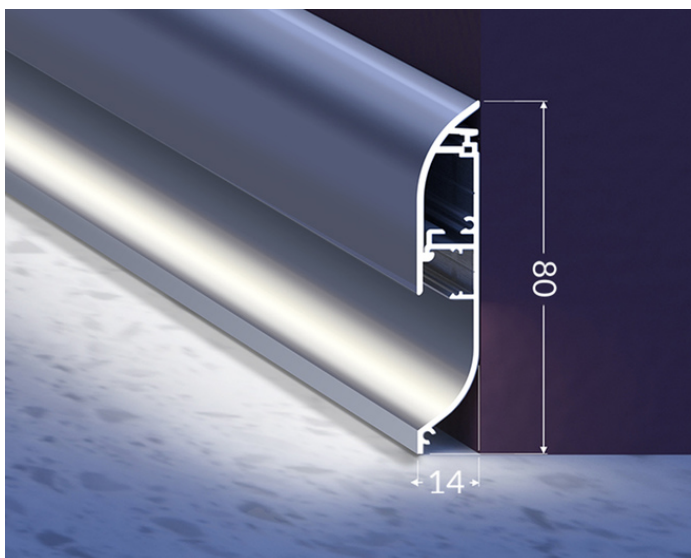
Ostrowska 354 | 61-312 Poznań | POLAND

tel.: +48 61 872 75 00

info@topmet.pl

pdf card generation date: 10.03.2025

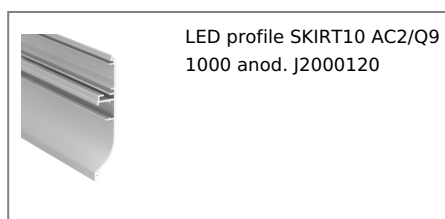
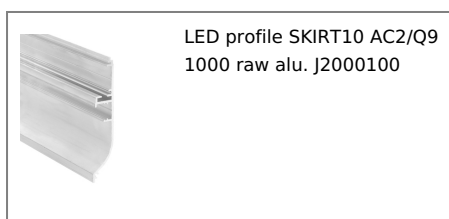




## Basic Informations

<p>EAN: 5901597288633 Index: J2000101 Material: aluminium Color: white painted Length [mm]: 1000 Weight [kg]: 0.376 Net weight [kg]: 0.008000000000000001 Country of origin: PL</p>	<p>Measurement unit: qty Product packaging dimensions [mm]: 1000 x 14 x 72,9 Bulk packing [qty]: 20 Master packaging type: Carton Product with gross packaging weight [kg]: 7.93</p>
---	--

## AVAILABLE COLORS

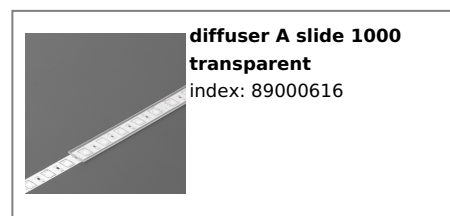
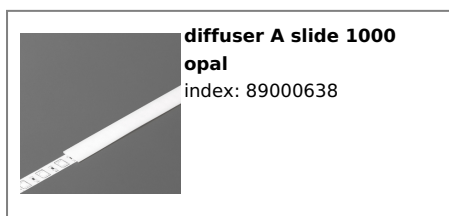
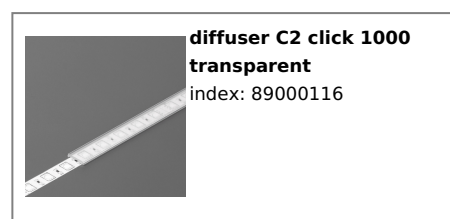
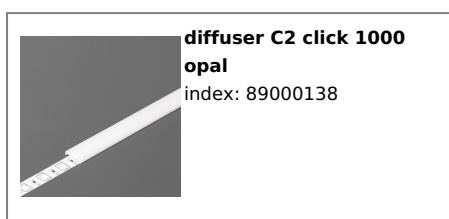


## AVAILABLE VARIANTS

1000 mm, 3000 mm, 4050 mm, 2000 mm

## Matching elements

## DIFFUSERS



## END CAPS



**end cap SKIRT10 white**  
**[20pcs]**  
index: J2998901

## MOUNTING PLATES



**holder Q9 for sling**  
**/plastic bag**  
index: V5999919S

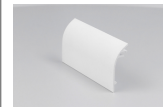
## COMPLEMENTARY PROFILE



**complementary profile**  
**SKIRT10 1000 anod.**  
index: J2000520



**complementary profile**  
**SKIRT10 1000 raw alu.**  
index: J2000500



**complementary profile**  
**SKIRT10 1000 white**  
**painted /plastic bag**  
index: J2000501