






(EOL) LED PROFILE WAY10 C 1000 ANOD.

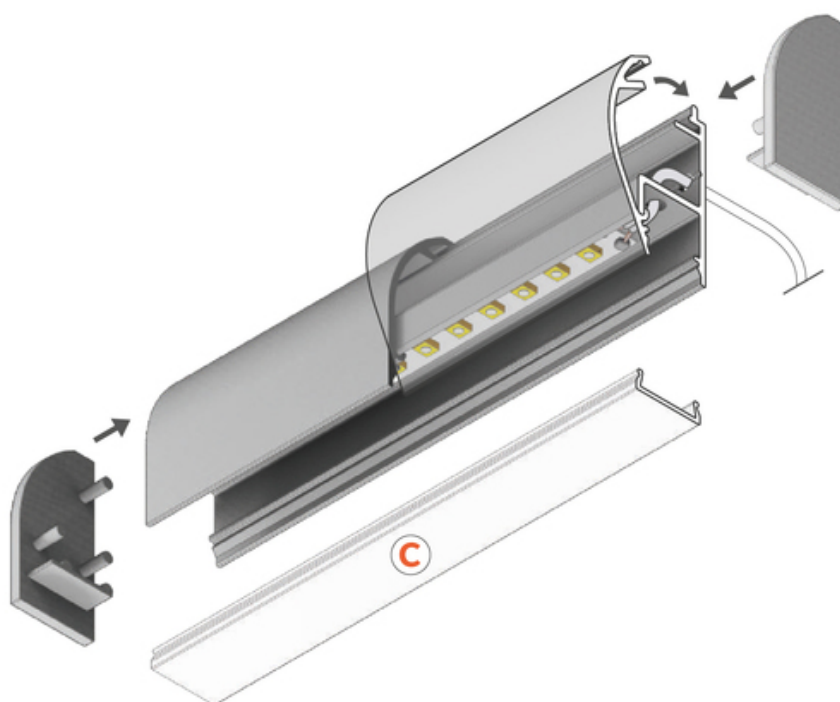
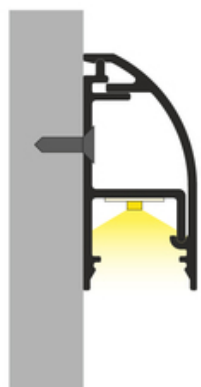
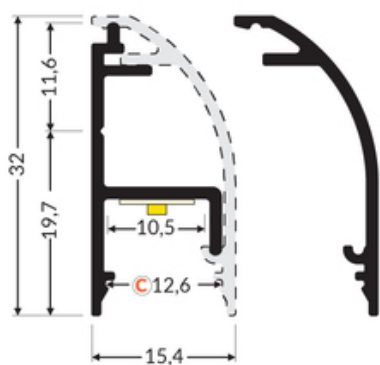


Architectural



max 10 mm

	<ul style="list-style-type: none">• strip for illuminating passageways• dedicated for wall mounting• hidden mounting and wiring• curved shape	 <p>EU industrial designs</p>  <p>CE</p>  <p>Made in Poland</p>	 <p>Buy product</p>
---	--	--	--





Basic Informations

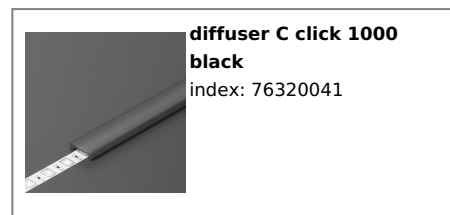
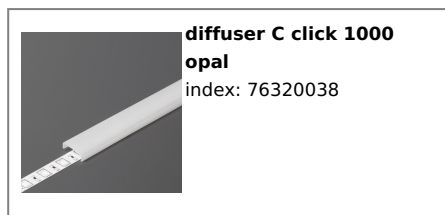
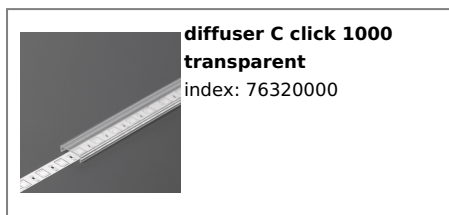
EAN: 5901597256755 Index: F9000120 Material: aluminium Color: anodized Length [mm]: 1000 Weight [kg]: 0.183 Country of origin: PL	Measurement unit: qty Product packaging dimensions [mm]: 1000 x 15,4 x 32 Bulk packing [qty]: 40 Master packaging type: Bulk Product with gross packaging weight [kg]: 7.32
---	---

AVAILABLE VARIANTS

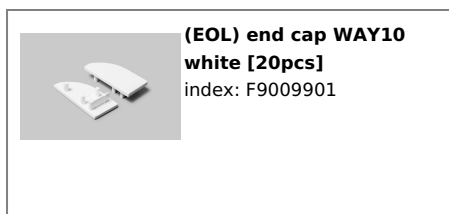
1000 mm, 2000 mm, 3000 mm, 4050 mm

Matching elements

DIFFUSERS



END CAPS



TOPMET LIGHT KŁOSOWICZ WIŚNIEWSKI sp. z o.o.

Ostrowska 354 | 61-312 Poznań | POLAND

tel.: +48 61 872 75 00

info@topmet.pl

pdf card generation date: 10.03.2025

COMPLEMENTARY PROFILE

