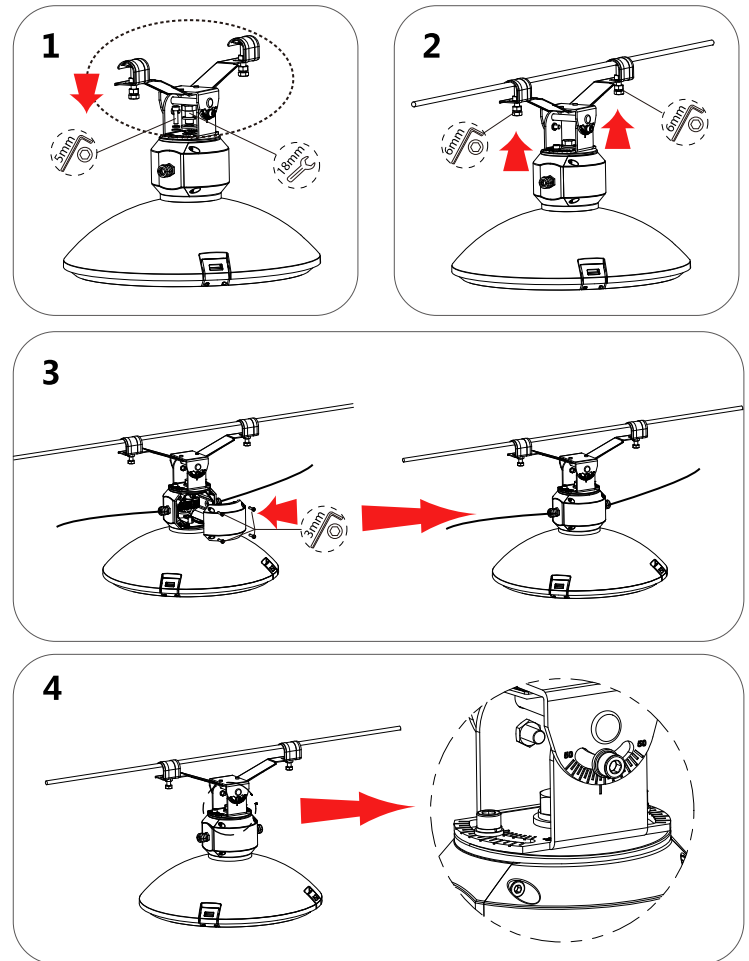
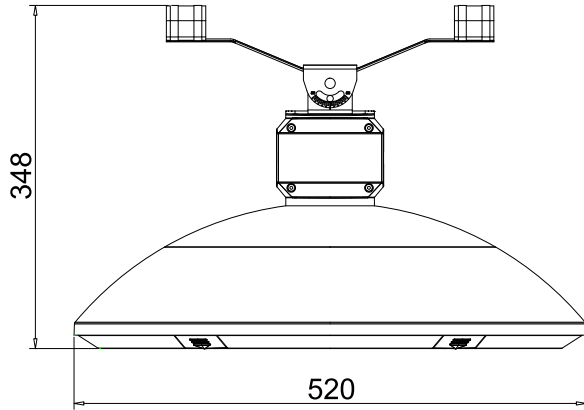


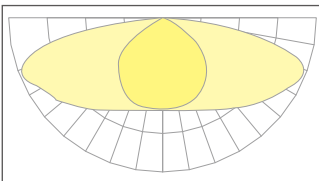
100W

## INSTALLATION DIAGRAM:



	<b>VT-115ST</b>
<b>POWER</b>	100W
<b>CCT</b>	4000K
<b>LUMENS</b>	13000LM
<b>PROTECTION</b>	IP65 IK08
<b>CRI(Ra)</b>	80
<b>VOLTAGE</b>	AC175-305V
<b>FREQUENCY</b>	50Hz
<b>BEAM ANGLE</b>	TYPE II S
<b>PF</b>	>0.9
<b>LIFE</b>	30000H
<b>SURGE PROTECTION GRADE</b>	10KV
<b>ANGLE ADJUSTMENT</b>	±50°

### Light distribution curve:



The light source of this luminaire is not replaceable, when the light source reaches its end of life the whole luminaire should be replaced by the manufacturer or his service agent or a qualified electrician.



Caution, risk of electric shock



This marking indicates that this product should not be disposed with other household wastes throughout the EU.

- Put the bracket part on the top terminal box, fasten the 2pcs M6 screws by 5mm allen wrench and 1pc M12 outer hexagon screw by 18mm outer hex wrench.
- Hang up the street light on the rope, fasten the 2pcs M8 screws by 6mm allen wrench.
- Loose the 4pcs M4 screws from the terminal box by 3mm allen wrench, connect the wire, fasten the cable gland on 2 sides, then close the terminal box.
- Slide the screws to adjust light distribution angle (If necessary), ±50° adjustable.

### WIRING DIAGRAM:

Class II Standard



- Connect supply wires to luminaire wire leads per the wiring diagram using methods that comply with all applicable codes.
- Turn power on.

