



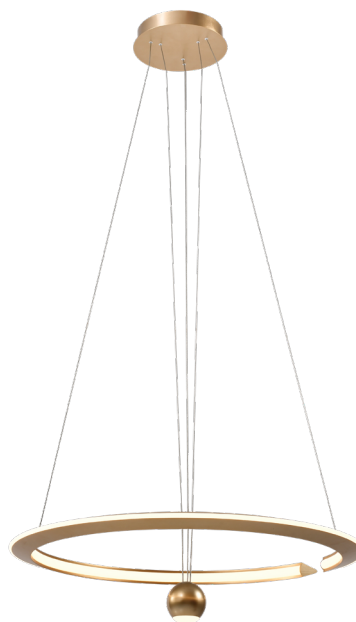
Meaningful Innovation.

WEEE Number: 80133970

INSTRUCTION MANUAL LED DESIGNER HANGING LIGHT

TECHNICAL DATA

MODEL	VT-10126
SKU	23431, 23432
POWER	45W
INPUT VOLTAGE	A: 220-240V, 50Hz
CURRENT	1050mA
LUMENS	5500Lm
BEAM ANGLE	Sphere 120°
CRI	>80
LIFE SPAN	20,000 Hours
ON/OFF CYCLE	>15.000 Times
IP RATING	IP20
MATERIAL	Metal+Silicone
DIMENSION	620x1200 mm



02 YEAR
WARRANTY*



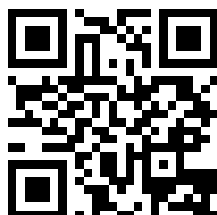
ADJUSTABLE UP/DOWN

INTRODUCTION & WARRANTY

Thank you for selecting and buying V-TAC product. V-TAC will serve you the best. Please read these instructions carefully before starting the installation and keep this manual handy for future reference. If you have any another query, please contact our dealer or local vendor from whom you have purchased the product. They are trained and ready to serve you at the best. The warranty is valid for 2 years from the date of purchase. The warranty does not apply to damage caused by incorrect installation or abnormal wear and tear. The company gives no warranty against damage to any surface due to incorrect removal and installation of the product. The products are suitable for 10-12 Hours Daily operation. Usage of product for 24 Hours a day would void the warranty. This product is warranted for manufacturing defects only.

WARNING

1. Please make sure to turn off the power before starting the installation.
2. Installation must be performed by a qualified electrician.
3. For indoor use only



MULTI-LANGUAGE MANUAL QR CODE

Please scan the QR code to access the manual in multiple languages.



Points de collecte sur www.quefairedemesdechets.fr
Privilégiez la réparation ou le don de votre appareil !

In case of any query/issue with the product, please reach out to us at: support@v-tac.eu
For More products range, inquiry please contact our distributor or nearest dealers.
V-TAC EUROPE LTD. Bulgaria, Plovdiv 4000, bul.L.Karavelow 9B

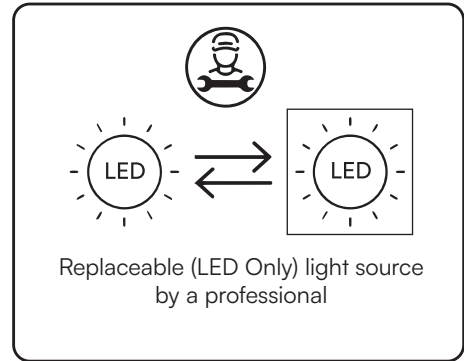
*This product contains a light source of energy efficiency class <E>, where <E> shall be replaced by the energy class of the contained light source.



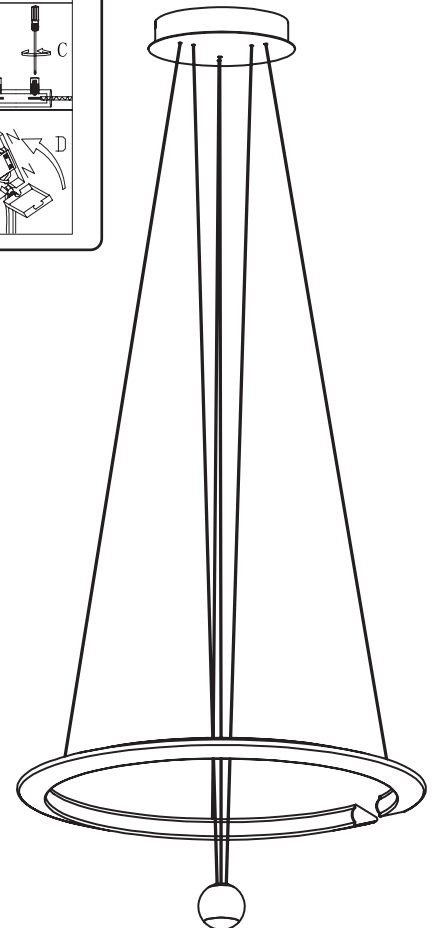
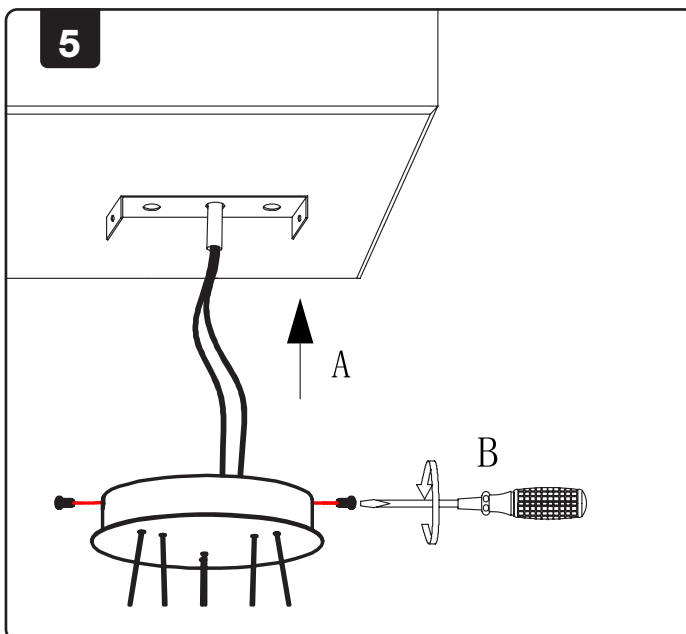
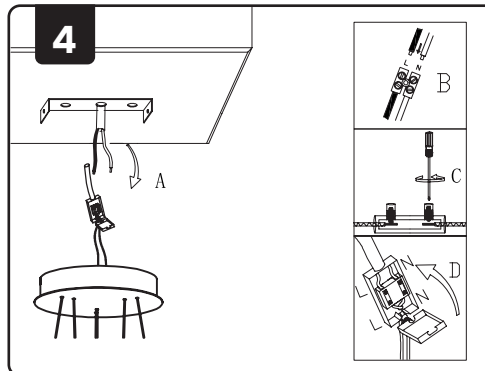
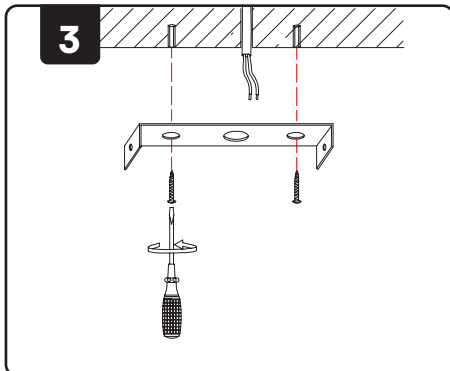
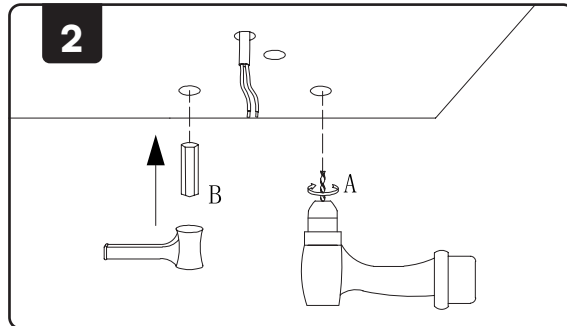
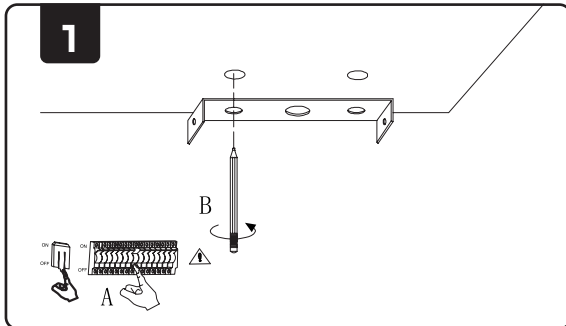
This marking indicates that this product should not be disposed of with other household wastes.



Caution, risk of electric shock.



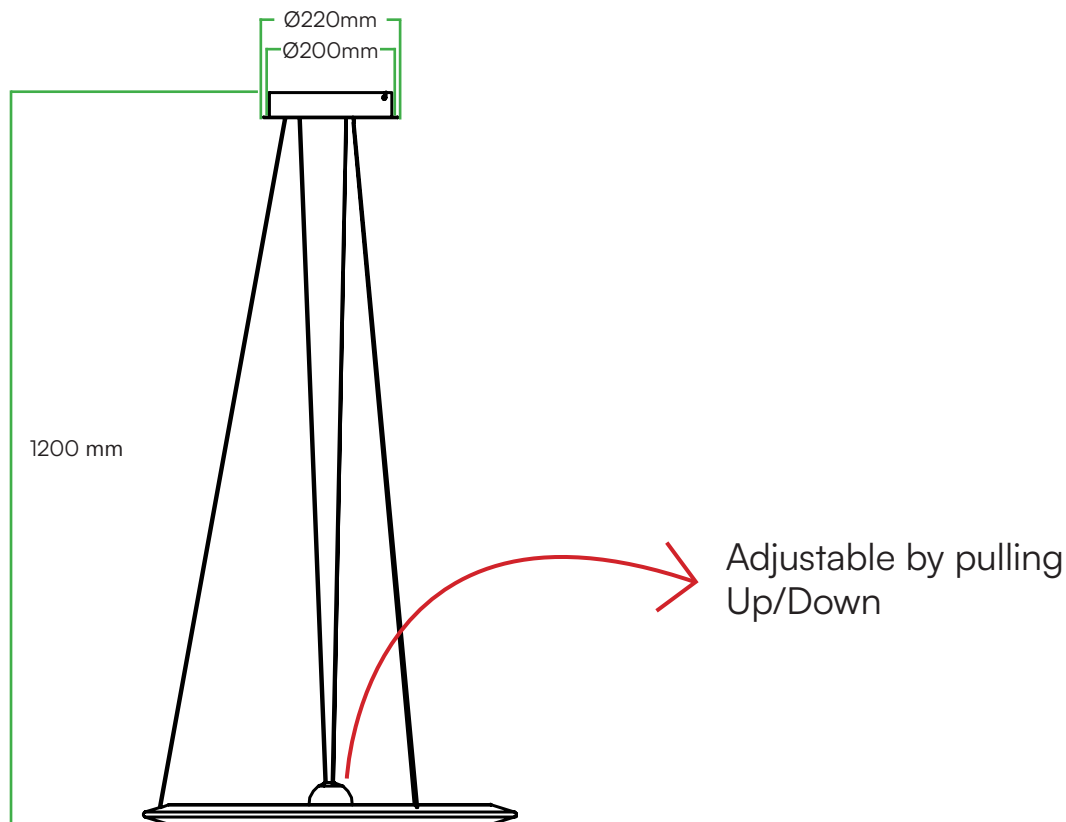
INSTALLATION DIAGRAM



INSTALLATION INSTRUCTIONS

- **Mark the Position:** Identify the appropriate position on the roof for installation.
- **Drill the Hole:** Drill a hole at the marked point. Then, insert the screw fixture into the hole.
- **Attach the Bracket:** Secure the bracket to the roof using screws.
- **Wire Connection:** Connect the wires as indicated in the diagram.
- **Fix the Light Basement:** Attach the light basement to the installed bracket.
- **Adjust the Light Height:** Adjust the height of the light by pulling it up or down as needed.
- **Power On:** Turn on the power and test the light to ensure proper installation.

HIGHT ADJUSTMENT FUNCTION



RoHS



UK
CA

