



Meaningful Innovation.

WEEE Number: 80133970

INSTRUCTION MANUAL

HOUSE NO. LIGHT DAY/NIGHT SENSOR



TECHNICAL DATA

MODEL	VT-81006
SKU	23422
INPUT VOLTAGE	AC: 220-240V, 50/60 Hz
LUMENS	1100 Lm
WATTS	12W
AMBIENT LIGHT	<3-50LUX (Adjustable)
CRI	>80
WORKING TEMPERATURE	-20°C to +40°C
DIMENSION	XXxXX mm



05 YEAR WARRANTY*

IP65 RATING

INTRODUCTION & WARRANTY

Thank you for selecting and buying V-TAC product. V-TAC will serve you the best. Please read these instructions carefully before starting the installation and keep this manual handy for future reference. If you have any another query, please contact our dealer or local vendor from whom you have purchased the product. They are trained and ready to serve you at the best. The warranty is valid for 5 years from the date of purchase. The warranty does not apply to damage caused by incorrect installation or abnormal wear and tear. The company gives no warranty against damage to any surface due to incorrect removal and installation of the product. The products are suitable for 10-12 Hours Daily operation. Usage of product for 24 Hours a day would void the warranty. This product is warranted for manufacturing defects only.

WARNING

1. Please make sure to turn off the power before starting the installation.
2. Installation must be performed by a qualified electrician.



This marking indicates that this product should not be disposed of with other household wastes.



Caution, risk of electric shock.



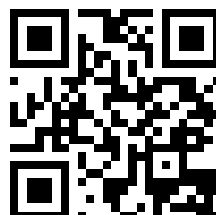
FR
Cet appareil, ses accessoires et cordons se recyclent

À DÉPOSER EN MAGASIN

OU

À DÉPOSER EN DÉCHÈTERIE

Points de collecte sur www.quefairedemesdechets.fr
Privilégiez la réparation ou le don de votre appareil !



MULTI-LANGUAGE MANUAL QR CODE

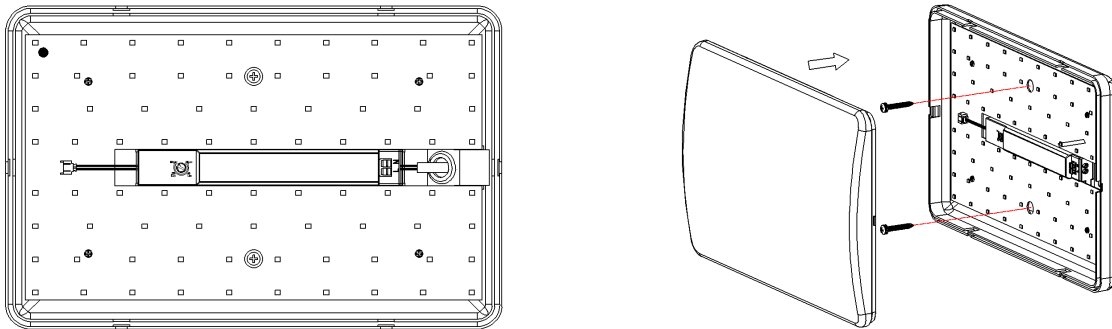
Please scan the QR code to access the manual in multiple languages.



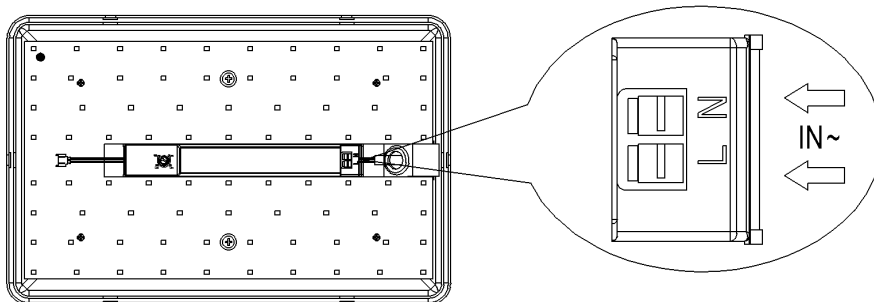
In case of any query/issue with the product, please reach out to us at: support@v-tac.eu
For More products range, inquiry please contact our distributor or nearest dealers.
V-TAC EUROPE LTD. Bulgaria, Plovdiv 4000, bul.L.Karavelow 9B

INSTALLATION INSTRUCTIONS

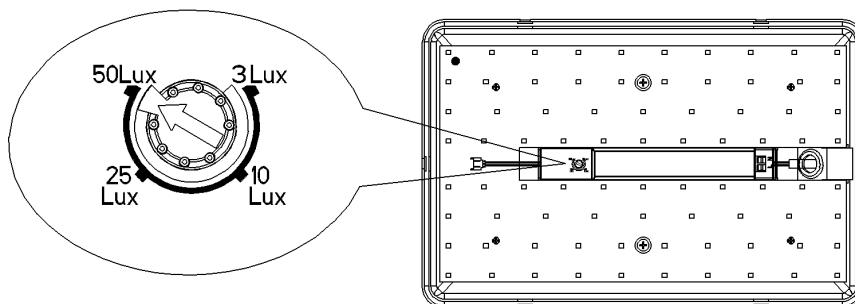
- Switch off the power.
- Unload the lampshade and open it.
- Pass the wire through the hole in the bottom and connect the power wire into the terminal block according to the connection-wire diagram. Install the lamp at the position where you need with inflated screws.
- Switch on the power and test it.



CONNECTION WIRE DIAGRAM



TEST



- Slide the LUX knob to 50LUX and switch on the power. When you test in the daytime, you should cover a black opaque cloth on the lamp.
- When the cloth mantles the lampshade, the ambient light is less than about 50LUX, the lamp will turn on automatically after about 20s.
- Keep the lamp ON not less than 15s, then when you take away this cloth and the ambient light gets brighter more than about 150LUX, the lamp will switch off automatically in about 15s.
- Slide the LUX knob to 3LUX, the lamp will turn on when the ambient light is less than 3LUX.
- When you set LUX knob to other marked positions, the lamp will turn on when the ambient light reaches the required LUX value.

NOTE

- In front of the lamp, there should be no obstruction affecting it receives natural light.
 - The working of lamp may be different when installed in a bright or dark place as it works according to the condition of ambient light.
-