



Meaningful Innovation.

WEEE Number: 80133970

INSTRUCTION MANUAL

REAL PRESENCE SENSOR

TECHNICAL DATA

MODEL	VT-81013
SKU	23429
INPUT VOLTAGE	AC: 110-240V, 50/60 Hz
RATED LOAD	Max. 1200W (220-240V/AC) 800W (110-130V/AC) 600W (220-240V/AC) 300W (110-130V/AC) +LED
TIME DELAY	Min. 10sec \pm 3sec Max. 12min \pm 1min
DETECTION RANGE	360°
DETECTION DISTANCE	3m (radius)
DETECTION MOTION SPEED	0.6-1.5m/s
WORKING TEMPERATURE	-20°C to +40°C
AMBIENT LIGHT	<3-2000 LUX (Adjustable)



COMPATIBLE WITH
V-TAC LED
RANGE (UPTO 600W)

05 YEAR
WARRANTY*

IP54
RATING

INSTALLATION HEIGHT	2-4m
CUTOUT SIZE	Ø63x66mm
DIMENSION	Ø76x66.2 mm

INTRODUCTION & WARRANTY

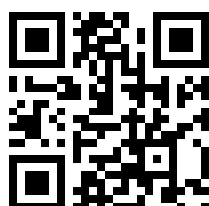
Thank you for selecting and buying V-TAC product. V-TAC will serve you the best. Please read these instructions carefully before starting the installation and keep this manual handy for future reference. If you have any other query, please contact our dealer or local vendor from whom you have purchased the product. They are trained and ready to serve you at the best. The warranty is valid for 5 years from the date of purchase. The warranty does not apply to damage caused by incorrect installation or abnormal wear and tear. The company gives no warranty against damage to any surface due to incorrect removal and installation of the product.



Caution, risk of electric shock.



This marking indicates that this product should not be disposed of with other household wastes.



MULTI-LANGUAGE MANUAL QR CODE

Please scan the QR code to access the manual in multiple languages.



FR
Cet appareil, ses accessoires et cordons se recycle



À DÉPOSER EN MAGASIN



À DÉPOSER EN DÉCHÈTERIE

OU

Points de collecte sur www.quefairedemesdechets.fr
Privilégiez la réparation ou le don de votre appareil !

In case of any query/issue with the product, please reach out to us at: support@v-tac.eu
For More products range, inquiry please contact our distributor or nearest dealers.
V-TAC EUROPE LTD. Bulgaria, Plovdiv 4000, bul.L.Karavelow 9B

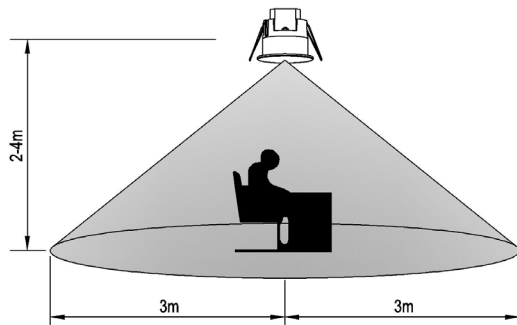
WARNING

1. Please make sure to turn off the power before starting the installation.
2. Installation must be performed by a qualified electrician.

FUNCTION

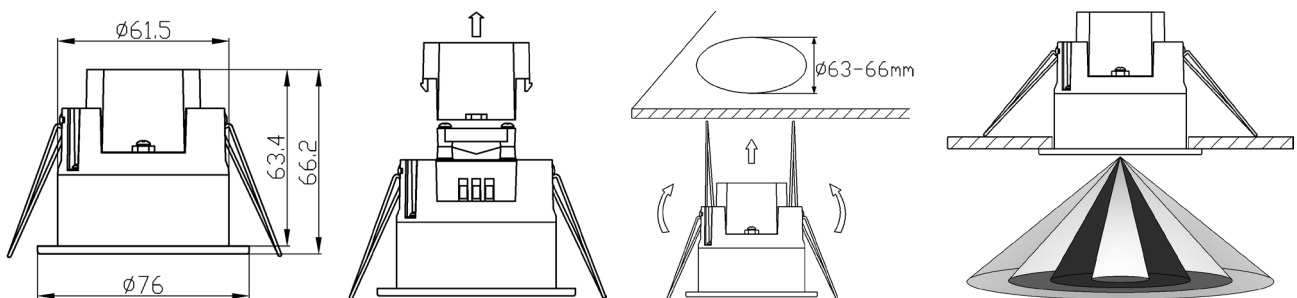
1. Can identify day and night: It can work in the daytime and at night when it is adjusted on the "sun" position (max). It can work in the ambient light less than 3LUX when it is adjusted on the "3" position (min). As for the adjustment pattern, please refer to the testing pattern.
2. It detects human breathing and keeps lamp on continuously, When you stand in the place less than 3m to the sensor.
3. When you walk to the place 3-4.5m to the sensor, it detects human motion and turn on the lamp and then turn off after the setted time if there is no movement during the lighting time.
4. Time-Delay is added continually: When it receives the second induction signals within the first induction, it will restart to time from the moment.
5. Time—Delay is adjustable. It can be set according to the consumer's desire. The minimum time is 10sec±3sec. The maximum is 12min±1min.

SENSOR INFORMATION

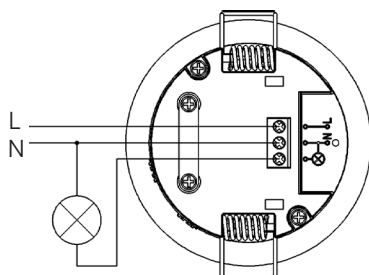


INSTALLATION

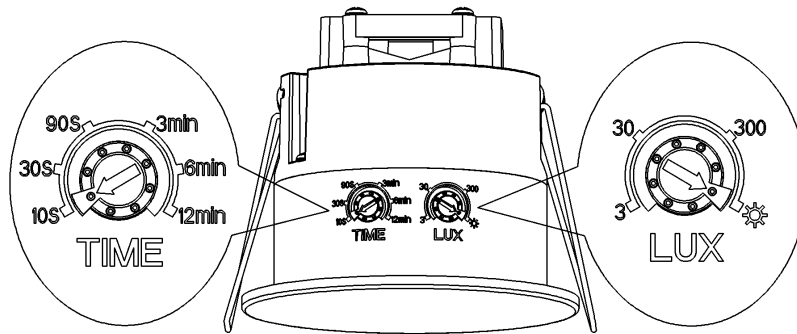
- Switch off the power and unload the transparent cover.
- Connect the power to connection terminal of sensor according to connection-wire diagram.
- Install back the transparent cover into the original location.
- Fold the metal spring of the sensor upwards and then put the sensor into the suitable hole or installation box. Releasing the spring, the sensor will be set in this installation position.
- After finishing installing, turn on the power and then test it.



WIRING DIAGRAM



TEST



1. Turn the LUX knob clockwise on the maximum (sun). Turn the TIME knob anti-clockwise on the minimum (10s).
2. When you switch on the power, the light will be on at once. And $10\text{sec} \pm 3\text{sec}$ later the light will be off automatically. Then if the sensor receives induction signal again, it can work normally.
3. When you walk to the place less than 3m to the sensor, it detects human breathing and keeps lamp on. When you walk to the place more than 3m and then the lamp will be off after the setted time if there is no another movement.
4. When you walk to the place 3-4.5m to the sensor, it detects human motion and turn on the lamp as the setted time.
5. When the sensor receives the second induction signals within the first induction, it will restart to time from the moment.
6. Turn LUX knob anti-clockwise on the minimum (3). If the ambient light is less than 3LUX (darkness), the inductor load could work when it receives induction signal.

Note: when testing in daylight, please turn LUX knob to ☀ (SUN) position, otherwise the sensor lamp could not work!

NOTES

- Electrician or experienced human can install it.
- Can not be installed on the uneven and shaky surface.
- In front of the sensor there shouldn't be obstructive object affecting detection.
- Avoid installing it near the metal and glass which may affect the sensor.
- For your safety, please don't open the case if you find hitch after installation.

TROUBLESHOOTING

- **The load don't work:**
 - a. Check the power and the load.
 - b. Whether the indicator light is turned on after sensing? If yes, please check load.
 - c. If the indicator light does not turn on after sensing, please check if the working light corresponds to the ambient light.
 - d. Please check if the working voltage corresponds to the power source.
- **The sensitivity is poor:**
 - a. Please check the ambient temperature.
 - b. Please check if the signals source is in the detection fields.
 - c. Please check the installation height.
- **The sensor can't shut automatically the load:**
 - a. If there are continual signals in the detection fields.
 - b. If the time delay is set to the longest.
 - c. If the power corresponds to the instruction.

RoHS



UK
CA

